

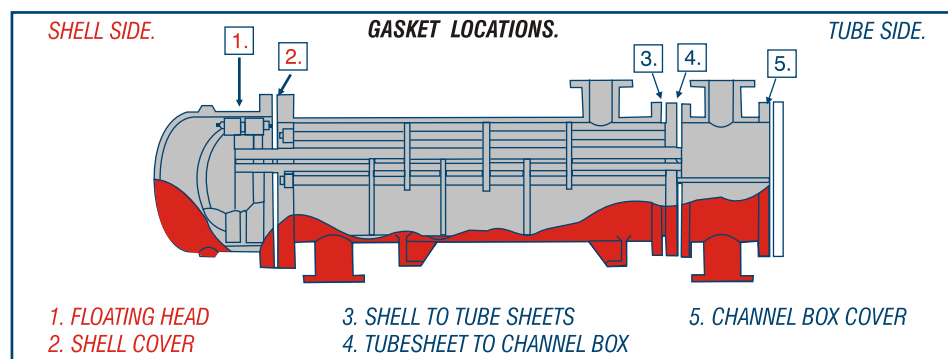
Metal Jacketed Gaskets

UKL METAL JACKETED gaskets are specially designed and widely used for heat exchangers, autoclaves, columns, pressure vessels, flue stacks, boilers, gas mains, valve bonnets, pumps and similar services.

UKL Metal Jacketed Gaskets are manufactured from a soft, pliable filler core surrounded by a metal jacket, chemically and thermally resistant to the working conditions, which may totally or partially enclose the filler.

The majority of these gaskets are supplied in circular form but can be manufactured to other shapes to suit individual requirements. The method of manufacture enables gaskets to be produced with almost no size limitations. They are produced in different styles to API, ASME DIN and BS standards.

All gaskets are custom-built to provide accurate and easy assembly of pass partition bars into the tubesheet grooves. Perfect fit and sealing efficiency is ensured by Uni Klinger's accumulated experience, design and manufacturing facilities and highly skilled craftsmen.

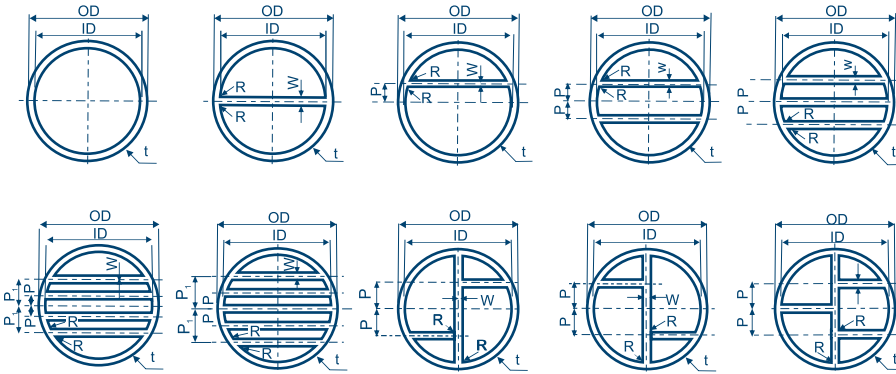




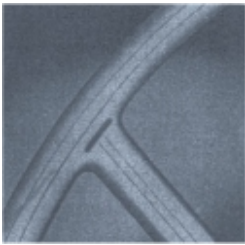
Metal Jacketed Gasket Details

Shapes

Heat exchanger gaskets have complicated partition bar(s). The typical shapes of the gasket are as illustrated below.



- The metal jacket covering the filler material prevents contamination
- Ensures high elasticity and recovery
- Nearly any dimension and shape can be made



Typical welded pass bar

Pass partition bars, wherever required, are provided in welded pass bar construction only.

With a welded pass bar arrangement the fluid is retained by the primary seal at the inner diameter of the gasket. The welded construction of the bars results in two independent seals:

The primary seal at the inner diameter and the secondary seal at the outer diameter.

Thus the primary seal maintains its function, providing a seal of higher integrity.

Many standard bar configurations are available, special configurations on request.

Standard materials:

Metal jacket: Carbon Steel / Soft Iron, SS 304, SS 316L **Filler material:** Graphite, CAF, PTFE

Also available :



UKL

Fluid Sealing Division:

Compressed Asbestos Gasket Sheetting

UNISIL Compressed Non-Asbestos Gasket Sheetting

Full Range of Cut Gaskets,

Spiral Wound Gaskets,

Non Asbestos Gland Packing

Fluid Control Division:

PISTON VALVES - Seatless & Glandless, Forged Piston Valves

STEAM TRAPS - Thermodynamic, IBT, Ball Float, Thermostatic

MANUAL & ACTUATED BALL & BUTTERFLY VALVES

STRAINERS 'Y' Type / LEVEL GAUGES - Reflex, Transparent, Bicolor

BELLOW SEALED VALVES

In view of technical progress designs and dimensions are subject to change without notice.



UNI KLINGER LIMITED (Fluid Sealing Division)

A joint venture of the Neterwala group of companies and KLINGER AG, Switzerland.

Sales Office : SC1, 5th Fl., Kohinoor Estate, Mumbai-Pune Highway, Khadki, Pune-411003.

Tel.: 91-20-41023000 Fax: (020) 41023001

e-mail: salescso@uniklinger.com Website: www.uniklinger.com

Factory : GAT No 1240, S No 140, Village Vadu Budruk, Koregaon Bhima, Tal. Shirur, Dist - Pune - 412 216.

Tel.: (02137) 676900 Fax: (02137) 676928 e-mail: fsdworks@uniklinger.com



DNV

- AN ISO 9001 : 2008
COMPANY.