

UKL Strainers help collect and subsequently remove pipeline debris such as scale, rust, jointing compound and weld metal in pipelines, thus protecting expensive and critical equipment and processes. Damage to the plant is frequently caused by such pipeline contaminants which may find their way into the pipeline system.

Y-Type Strainers are the most economical choice for large debris removal. They are most common type of strainers used in pressurized fluid lines, and also find wide usage in suction or vacuum conditions.

UNI Klinger make Y-type strainers comply with the requirement of the European Pressure Equipment Directive 97/23/EC and carry CE mark when so required. Products fall within the PED categories I to III.

Features:-

- UKL Strainers can be used in liquid as well as gas lines.
- UKL Strainers is suitable for Hazardous Environment.
- Maintenance free and long life.

MATERIAL OF CONSTRUCTION:

15 NB to 40 NB ASTM A 105

50 NB to 300 NB ASTM A216 Gr. WCB

*ASTM A 182 Gr.F304/F316 and ASTM A 351 CF8/CF8M

(Available on customer Request)

SIZES AVAILABLE:-

15 NB to 300 NB

END CONNECTIONS:

Flanged Ends: 15 NB to 300NB

Butt Weld Ends: 50NB to 300 NB

Pressure Rating : ANSI #150/#300

INSTALLATION:-

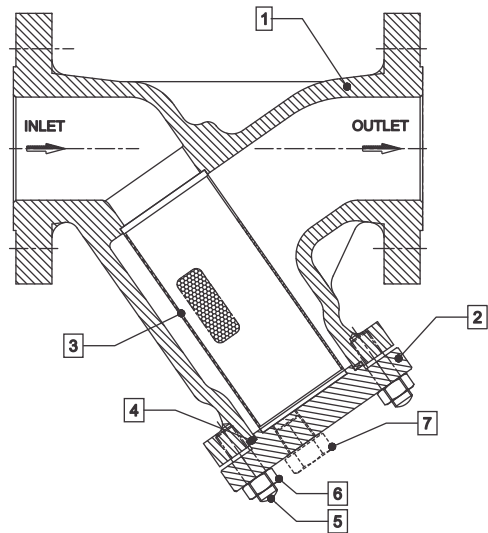
Preferably in Horizontal position.

OPTIONAL:-

IBR/Non-IBR

Mesh Size Available-

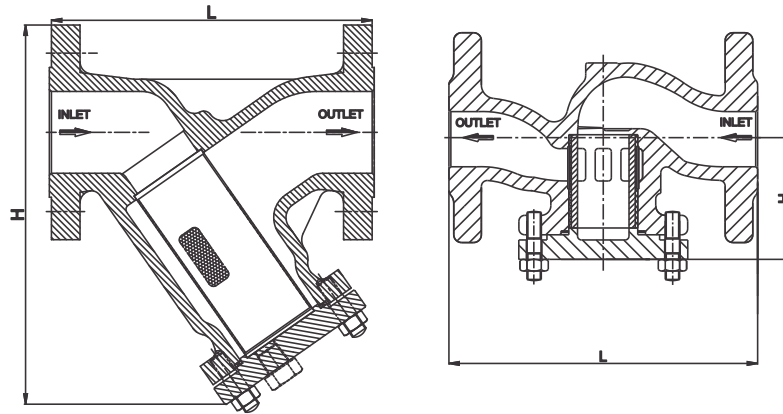
40 (Std) /60/80/100/120/200



BILL OF MATERIAL:-

Sr	Component	Material Forged Y Type	Material Cast Y and T Type
1	Body	A105/A182 F304	WCB/CF8/CF8M
2	Cover	A105/A182 F304	WCB/CF8M
3	Strainer Screen	AISI 304	AISI 304
4	Gasket	Spiral wound Gasket	SPW Gasket + Graphite Filler
5	Stud	ASTM A 193 GR.B7 / B8	ASTM A 193 GR.B7 / B8
6	Nuts	ASTM A 194 GR.2H / GR.8	ASTM A 194 GR.2H / GR.8
7	Drain plug		A105/AISI 304

UKL Strainer T and Y Type SRM / SRF / USRM / USY



Dimensions (mm)								
Y Type Forged			Y Type Cast			T Type Cast		
	#800		#150	#300		#150	#300	
Size	L	H	L	L	H	L	L	H
15	100	80	-	-	-	107.95	152.4	66
20	120	98	-	-	-	117.35	177.8	73
25	135	135	-	-	-	127	203.2	85
32	-	-	-	-	-	139.7	215.9	95
40	185	152	-	-	-	165.1	228.6	112
50	-	-	229	267	190	203.2	266.7	112
65	-	-	-	-	-	215.9	292.1	162
80	-	-	318	318	270	241.3	317.5	179
100	-	-	368	356	305	292.1	355.6	197
125	-	-	-	-	-	355.6	400.05	226
150	-	-	470	445	400	406.4	444.5	246
200	-	-	597	559	490	495.3	558.8	297
250	-	-	694	730	670	# #	# #	# #
300	-	-	810	850	800	# #	# #	# #

Note : Consult Factory for dimensions and sizes above 300 NB

Class	Temperature	38°C
#150	Pressure (kg/cm ²)	20
#300		52.1

AVAILABLE SPARES:

Strainer Screen

Cap / Cover gasket

40/60/80/100/120/200



Other Products : Cast / Forged Steel Piston Valves, Bellow seal valves, High Pressure valves (Gate/Globe), Strainers – “Y” Type, ITVS Steam Traps (Thermodynamic, Thermostatic, Ball Float Traps and IBT), Pressure Reducing Station, Condensate Recovery Products. Level Gauges (Reflex, Transparent, Bicolor), Sight Glass, Hot Water Generation System, Safety and Relief Valves.
FSD Products : Compressed Asbestos / Non Asbestos Fiber Sheetting / Cut Gaskets, Spiral Wound Gaskets / Gland Packing



UNI KLINGER LIMITED

In view of technical progress designs and dimensions are subject to change without notice.

A joint venture of the Neterwala group of companies and KLINGER AG, Switzerland.

Central Sales Office & Pune Branch : SC1, 5th Fl., Kohinoor Est. Mumbai-Pune Highway, Khadki, Pune-411 003.

Tel.: +91-20-4102 3000 Fax.: (020) 4102 3001

e-mail : salescso@uniklinger.com, salespune@uniklinger.com, Website : www.uniklinger.com

Factory :

C-37, M.I.D.C., Ahmednagar – 414 111, Maharashtra, Tel. : 0241 – 2777223 / 2777512

Fax: 0241 – 2777294, E-mail : fcdworks@uniklinger.com

Branch Offices :

Baroda : 102, Oftel Towers-II 1st Floor, R.C. Dutt Rd, Baroda-390 005, Tel.: 91-0265-2312343 / 2340660, Fax.: 91-265-2341419. E-mail : salesbar@uniklinger.com

Chennai : East Coast Centre, 5th Floor, 553, Mount Rd, Teyanampet, Chennai - 600 018, Tel.: 91 - 44 - 24345707. Fax.: 91 - 44 - 24343960. E-mail : saleschen@uniklinger.com

Kolkata : 9, Chitrakoot, 8th Floor, 230 A, AJC Bose Rd, Kolkatta-700 020, Tel.: 91-33-22872510, Fax.: 91-33-22876494. E-mail : salescal@uniklinger.com

Mumbai : 714, Ecstasy, City of Joy Complex, J.S.D. Rd, Mulund (W) Mumbai - 400080, Tel.: 91-22-25440463, Fax.: 91-22-25440463. E-mail : salesmum@uniklinger.com

New Delhi : 1003, 10th Flr., Indra Prakash Bldg. 21, Barakhamba Rd, Connaught Place New Delhi-110001, Tel.: 91-11-41658767, Fax.: 91-11-41658768. E-mail : salesdel@uniklinger.com

