

BUTTERFLY VALVE



Wafer Type
Gear Operated

Lug Type

Wafer Type
Lever Operated

PRODUCT RANGE

Size	40 mm - 450 mm
Material	Cast Iron / SG Iron Cast Steel - ASTM A216 Gr. WCB SS 304 / SS 316
End Connection	Wafer
Pressure Rating	PN 10 / PN 16

APPLICABLE STANDARDS

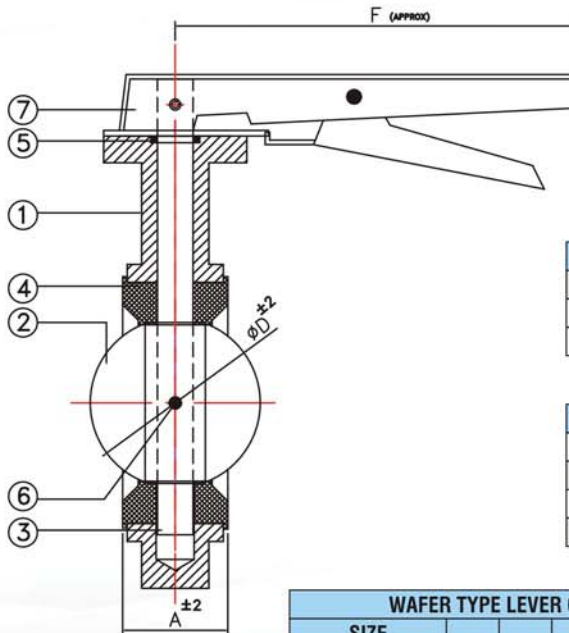
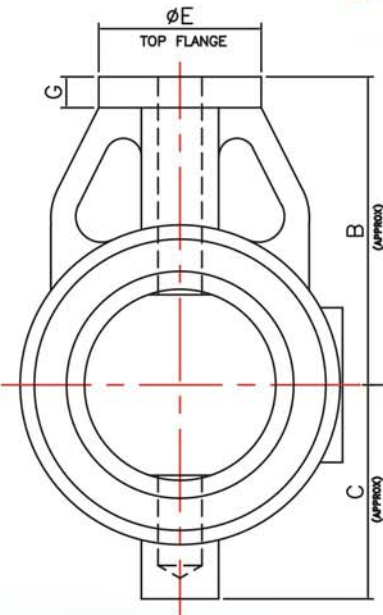
Design & Mfg Standard	BS 5155 / API 609
Face to Face	BS 5155 / API 609 / ISO 5752
Top Flange Drilling	ISO 5211
Testing Standard	BS 6755 Part- 1 / API 598
Flange Std Conformity	ANSI Class 150 / BS 10 Tab D,E,F

DESIGN FEATURES

- Wafer Type / Lug Type Design
- Integrally Bonded Seat
- Centric / Eccentric Disc
- Bubble Tight Shut-off
- Locking Arrangement
- ISO 5211 Mounting Pad
- Low Operating Torque

AVAILABLE MODIFICATIONS

- PTFE Lined Butterfly Valve
- Elastomer Lining on Disc
- API Certified Butterfly Valve
- Double Flange Butterfly Valve
- Triple Offset Valve
- Pneumatic / Electric Actuator
- Lever Operated / Gear Operated



Hydro Test Pressure		
Pressure Rating	Body	Seat
PN 10	15 Kg/cm ²	10 Kg/cm ²
PN 16	22 Kg/cm ²	16 Kg/cm ²

Seat Material	Min Temp	Max Temp
Nitrile	-25° C	100° C
EPDM	-25° C	120° C
PTFE	-65° C	190° C
Viton	-5° C	180° C

P. NO.	PART NAME	MATERIAL
1	Body	Cast Iron/Cast Steel/SS 304-316
2	Disc	Cast Iron/Cast Steel/SS 304-316
3	Spindle	SS 410/304/316
4	Body Lining	Nitrile/E.P.D.M./Silicon/Viton
5	'O' Ring	Nitrile / E.P.D.M.
6	Pin	SS 304/316
7	Lever	M S Fabricated

WAFER TYPE LEVER OPERATED BUTTERFLY VALVES									
SIZE		A	B	C	D	E	F	G	TOP FLANGE MOUNTING (ISO 5211)
MM	INCH								
40	1½"	36	92	52	40	65	180	15	F05
50	2"	43	103	70	50	65	180	15	F05
65	2½"	46	110	76	63	65	180	15	F05
80	3"	46	118	85	76	65	215	15	F05
100	4"	52	148	102	100	65	215	15	F05
125	5"	56	164	115	125	65	215	15	F05
150	6"	56	176	130	150	65	265	15	F05
200	8"	60	230	156	200	75	325	15	F07