

Expert Knife Gate Valves provide reliable and long life on a variety of tough applications including corrosive and abrasive services. Key aspects like operating loads, ease of operation, service conditions etc. are considered in its design and construction to ensure long and maintenance free service life. Through continuous process improvement our products are competitive enough to meet the global requirements. Expert Knife Gate Valves are designed for isolation, on-off and throttling applications.

- **Wafer type, compact design.**
- **Heavy duty single piece & two piece body, rigid construction**
- **Stainless steel gate, Self-cleaning, Beveled Edge, Precision machined for smooth operation & optimum sealing**
- **A wide range of materials of construction.**
- **Different actuators to suit the customer's requirement.**
- **Variety of seating options to suite different service conditions**
- **Manufactured & tested in accordance with MSS SP-81 and rated for 10 Bar CWP (upto 900 mm.)**
- **Available in sizes 50 mm (2") to 1800 mm (72").**

Knife Gate Valve has a wide range of application as a shut-off valve in pipelines and hoppers. It is perhaps the only valve, which can be used in hopper isolation. The beveled gate cuts through the fluid by dislodging any material in the seating area. In a highly abrasive application deflector cone is used to prevent the body from direct impingement of abrasive media.

The Knife Gate Valves find application in industries such as Pulp & Paper, Cement, Aluminum, Carbon Black, Fertilizer, Sugar, Coal & Mining, Power Generation, Ash Handling, Iron & Steel, Sewage & Waste Water Treatment, Food and beverage etc.

#### **ACTUATOR :**

The standard valves are provided with hand-wheel. The other actuators such as Chain Wheel, Lever, Bevel Gear, Pneumatic Cylinder & Electric Motor are available on request.

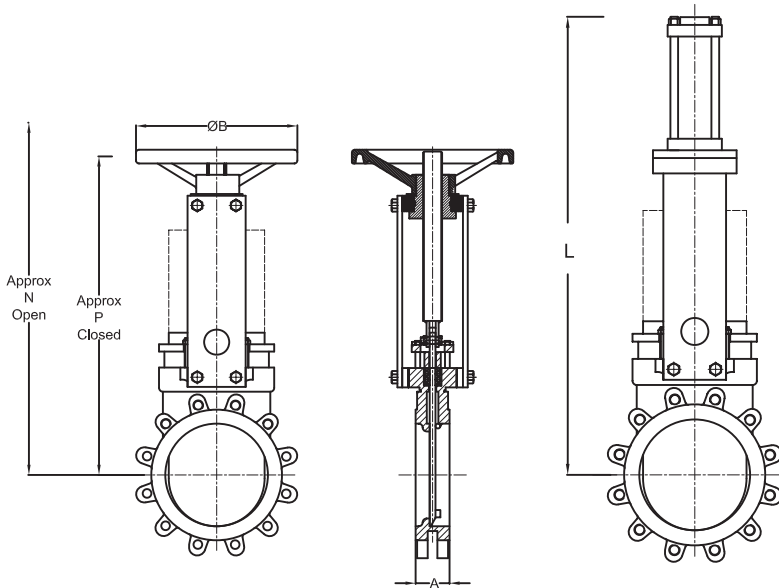
#### **ACCESSORIES (On Request) :**

- Deflector Cone ● Purge Connection
- Fail Safe System ● Locking Device
- Manual Over-ride ● Extended Stem
- Proximity Switches ● Solenoid Valves
- Limit Switches ● Air Filter (Regulator)
- Chain for chain-wheel actuator
- Mating flanges & hardware



## Knife Gate Valves





SIZES	A	B	P	N	L
50	48	203	294	347	415
65	48	203	330	400	480
80	51	203	350	437	510
100	51	203	379	480	560
125	57	270	422	548	665
150	57	270	466	615	730
200	70	270	620	878	940
250	70	390	696	948	1095
300	76	390	798	1100	1220
350	76	500	896	1238	1325
400	89	500	982	1374	1520
450	89	500	1070	1518	1635
500	114	500	1160	1655	1770
600	114	500	1432	2051	2150

#### MATERIAL OF CONSTRUCTION :

- Body** - Cast Iron IS 210 FG 260, ASTM A 216 Gr. WCB, ASTM A 352 Gr. LCB, ASTM A 351 Gr. CF8 / CF8M / CF3 / CF3M
- Gate** - Mild Steel, SS 304, SS 316
- Stem** - SS 410, SS 304, SS 316
- Gland Packing** - PTFE

\* Special material available on request

#### NOTE :

- All dimensions are in mm. unless otherwise specified and are indicative only.
- In the process of continuous improvement of our products, the data given herein is subject to change.
- Please specify the required size, material of construction, type of drive arrangement (if any), flange standard and quantity clearly at the time of placing the order.



### EXPERT ENGINEERING ENTERPRISES

#### Works & Head Office :

24-A, Sy. No. 703/1, Majgaon Industrial Estate,  
BELGAUM - 590 008. KARNATAKA - INDIA.

Tel. : +91-831-2407140 (6 Lines)

Fax : +91-831-2407141

mail@expertvalves.com