

EXPERT Non-Slam Check Valves are lift type non return valves used in pipelines to prevent back-flow of the fluid. Designed to fit between two flanges, these valves provide a compact installation when compared to the conventional flanged end check valves.

The Non-Slam check valves find application in various types of industries such as Chemical, Pharmaceutical, Power Generation, Textile, Water Treatment, Boilers, Breweries etc. These valves are used in process lines, hot & cold water systems, heating systems, steam and condensate lines, oil lines. (Not recommended for pulp lines and compressor delivery lines)

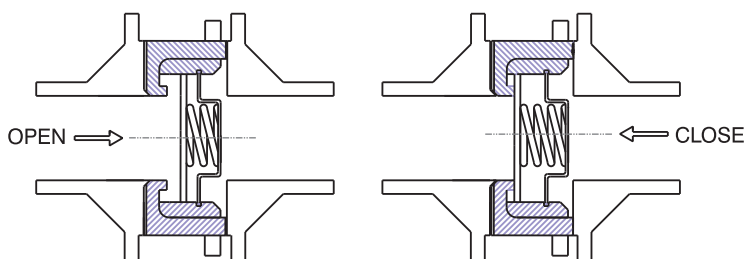
The Non-Slam Check Valves have short overall length in comparison with the standard Flanged End Check Valves. The size and weight are considerably reduced. This offers great advantage for installation, handling, transportation and storing.

- Compact : Requires little space in pipes
- Light Weight - compared to flanged end valves.
- Extremely low opening pressures.
- Lapped seats to provide tight shut-off.
- Soft seat option available.
- Easy to install and maintain.
- Cam design on body diameter enables self centering during installation.
- Can be mounted in any plane.
- Suitable for wide variety of liquids, gases and vapors.
- Size range : 15 mm. to 150 mm.
- Testing in accordance with API 598.
- Available with IBR Certification.

STANDARDS

Design	-	Manufacturer's Standard
Face to face / dimensions	-	Manufacturer's Standard
Testing	-	API 598

OPERATION :

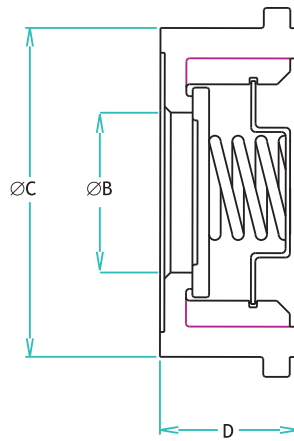
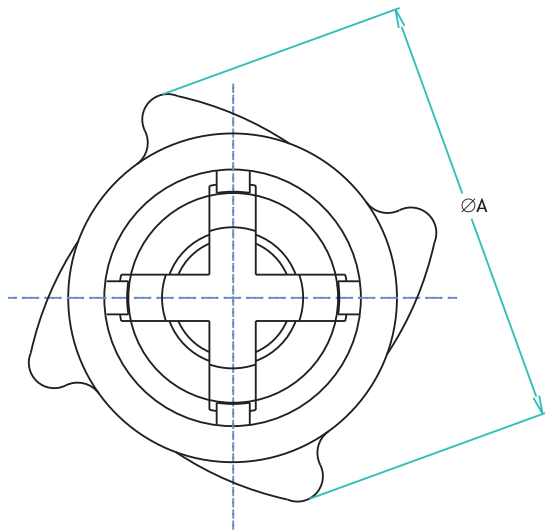


The Non-Slam Check Valves get opened by the pressure of the fluid and get closed by the Spring as soon as the flow ceases.



Non-Slam Check Valves





STANDARD MATERIAL OF CONSTRUCTION

Body	CF8M
Disc	CF8M
Seat	METAL
Spring	SS316
Spring Lock	SS316

- The optional soft seat available in Nitrile / EPDM / Silicon / Viton / PTFE on request.

SIZE	15	20	25	32	40	50	65	80	100	125	150
A	60	70	80	91	101	115	142	154	184	194	230
B	15	20	25	32	40	50	65	80	100	125	150
C	38	47	55	67	76	93	109	128	148	172	202
D	16	20	22	28	32	40	46	50	60	70	74

- Valve testing as per API 598.

NOTE :

- All dimensions are in mm unless otherwise specified.
- In the process of continuous improvement of products, the data given herein is subject to change.



EXPERT ENGINEERING ENTERPRISES

Works & Head Office :

24-A, Sy. No. 703/1, Majgaon Industrial Estate,
BELGAUM - 590 008. KARNATAKA - INDIA.

Tel. : +91-831-2407140 (6 Lines)

Fax : +91-831-2407141

mail@expertvalves.com