

UKL PISTON VALVE:-

THE PISTON VALVE principle is a KLINGER idea. One of many ideas which has achieved world-wide recognition. Continuously modified and matched to modern requirement, the piston Valve has provided itself to the millions throughout the world. Today we can say with pride that our group is worlds largest manufacturer of valves, based on this design principle. KLINGER Piston valve performance is backed by central R & D of KLINGER at Switzerland.

The shut off assembly comprises of a stainless steel piston, two resilient valve rings and a ferrous metal lantern bush. The sealing consists of the cylindrical surface of the piston and the corresponding inner surface area of the sealing rings. This provides a very large sealing compared with globe valves with conventional design- one of the reasons for the Piston valve's excellent seal.

The valve Rings are the heart of the piston valve. They are made from KXGT, a material specially developed and exclusively used for the manufacture of valve ring. KXGT consists essentially of graphite and tanged stainless steel between each layer of graphite. KLINGER valve rings are not merely surface graphited; the graphite content extends throughout the ring. For this reason its outstanding self lubricating properties are retained throughout the rings entire service life. KLINGER valve rings are resilient, accurately dimensioned and in consequence of their good recovery characteristics have excellent form retention and long service life. KLINGER valve rings are resistant to water, steam, oils, solvents and wide range of other media. KLINGER valve rings can be used for more than 230 listed fluid media.

FEATURES:-

- Seatless and Gland less valve.
- Economic, easy to service.
- No erosion of sealing surface.
- Saves Energy, environment friendly.
- Maintenance free.
- Compensation for thermal expansion with use of Belleville washer.
- Leak-tight across ports and to atmosphere.

MATERIAL OF CONSTRUCTION:-

ASTM A216 Gr. WCB
ASTM A351 Gr. CF8M

APPLICATIONS:-

Steam, Thermic fluids, Acids, Gases, vacuum and other critical media.

APPLICATIONS:-

- Steam
- Thermic fluids
- Acids
- Gases
- Vacuum
- Other critical media.



**Piston Valve with Actuator
(on request)**



ON REQUEST:-

IBR/Non-IBR
MOC : Cast Stainless / Alloy Steel
Valve with extended spindle.
Valve with Heating Jacket
Pneumatic / Electrical Actuator

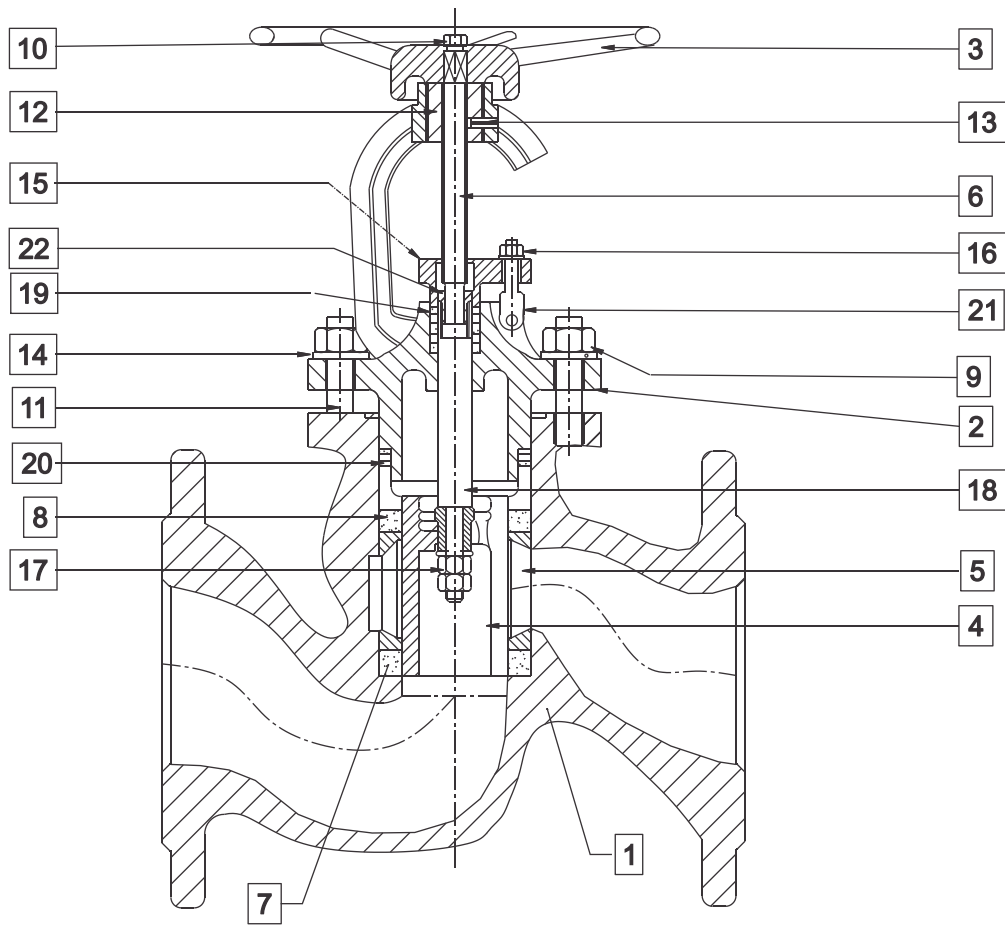
AVAILABLE SIZES:-

65, 80, 100, 125, 150, 200 NB
[65NB and 125 NB NB available in DIN Overall length only]

INSTALLATION:-

Preferred direction is as per arrow, however this valve is a Bi Directional Valve. This valve can be installed in any position without any adverse effect on performance, seal ability or flow. Due to soft sealing principle it is advisable to install a strainer upstream of the valve to avoid damage to the rings caused by weld slag, metal and other solid impurities.

Piston Valve KVN 65- 200



BILL OF MATERIAL

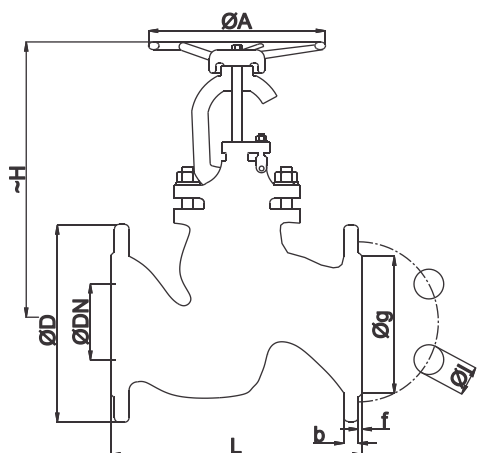
No	PART NAME	MATERIAL	MATERIAL CODE
1	Body	Cast Steel	ASTM A 216 Gr WCB
2	Bonnet	Cast Steel	ASTM A 216 Gr WCB
3#	Hand Wheel	C.I. / M.I.	GG 20 / FG 200 / M.I.
4#	Piston	Stainless Steel	ASTM A 351 Gr CF8
5#	Lantern Bush	Stainless Steel	ASTM A 743 Gr CA 15
6	Spindle	Stainless Steel	ASTM A 276 TP 410
7#	Lower Valve Ring	Klinger Standard	KXGT
8#	Upper Valve Ring	Klinger Standard	KXGT
9#	Bonnet Nut	Carbon Steel	ASTM A 194 Gr 2H
10	Handwheel	Carbon Steel	ASTM A 194 Gr 2H
11	Stud Bolt	Alloy Steel	ASTM A 193 Gr B7

BILL OF MATERIAL

No	PART NAME	MATERIAL	MATERIAL CODE
12	Threaded Bush	Cast Iron	GG 20 / FG 200
13	Tension Pin	Spring Steel	50 Cr V4
14	Belleville Washer	Spring Steel	50 Cr V4
15	Gland	Cast Steel	ASTM A 216 Gr WCB
16	Gland Nut	Carbon Steel	ASTM A 194 Gr 2H
17	Lock Nut	Stainless Steel	AISI 316
18	Piston Shaft	Stainless Steel	AISI 304
19#	Stuffing Box Ring	Klinger Standard	KXGT
20#	Additional Valve Ring	Klinger Standard	KXGT
21	Eye Bolt	Stainless Steel	EN 8
22	Split Bush	Brass / S.S.	---

- Available as Spares

Piston Valve KVN 65- 200



LIMITING CONDITIONS:

Rating	P_{max} (kg/cm ²)	Temp °C	T_{max} °C	Press (kg/cm ²)
#150	14.08	200	425	5.61
#300	44.68	200	425	29.07
PN40	38.66	200	425	22.85

DIMENSIONS (mm)

Rating	ØDN	L	H	ØA	ØD	b	Øg	f	No. of	ØI	ØK	Weight(kg)
									Holes, N			
#150	65	215.90	306.00	250.00	180.00	20.70	104.80	2.00	4	19.05	139.7	24.0
	80	241.30	327.00	250.00	190.00	22.30	127.00	2.00	4	19.05	152.4	33.00
	100	292.10	374.00	280.00	230.00	22.30	157.20	2.00	8	19.05	190.5	48.70
	125	355.60	447.00	360.00	255.00	22.30	185.70	2.00	8	22.22	215.9	80.00
	150	406.40	477.00	360.00	280.00	23.90	215.90	2.00	8	22.22	241.3	100.00
	200	495.30	561.00	400.00	345.00	27.00	269.90	2.00	8	22.22	298.5	174.00

#300	65	292.10	306.00	250.00	190.00	23.90	104.80	2.00	8	22.22	149.20	30.00
	80	317.50	327.00	250.00	210.00	27.00	127.00	2.00	8	22.22	168.30	41.50
	100	355.60	374.00	280.00	255.00	30.20	157.20	2.00	8	22.22	200.00	61.50
	125	400.05	447.00	360.00	280.00	33.40	185.70	2.00	8	22.22	235.00	95.00
	150	444.50	477.00	360.00	320.00	35.00	215.90	2.00	12	22.22	269.90	127.30
	200	558.80	561.00	400.00	380.00	39.70	269.90	2.00	12	25.40	330.20	220.0

PN40	65	290.00	306.00	250.00	185.00	22.00	122.00	3.00	8.00	18.00	145.00	29.0
	80	310.00	327.00	250.00	200.00	24.00	138.00	3.00	8.00	18.00	160.00	40.0
	100	350.00	374.00	280.00	235.00	24.00	162.00	3.00	8.00	22.00	190.00	60.0
	125	400.00	447.00	320.00	270.00	26.00	188.00	3.00	8.00	26.00	220.00	94.0
	150	480.00	477.00	360.00	300.00	25.00	218.00	3.00	8.00	26.00	250.00	125.0
	200	600.00	561.00	400.00	375.00	34.00	285.00	3.00	12.00	30.00	320.00	210.0

HOW TO ORDER

KLINGER PISTON VALVE KVN 80, Steam, IBR, FLANGED TO #150

Please mention the media, its design and working pressure/Temperature

Product Range

UTD-55 | UTD-62 | UTD-120

Thermodynamic steam trap

UTST | UCT-10

Thermostatic steam trap & Sanitary steam trap

UFT-15 to 100 | UCA

Ball Float Trap for Steam and air application

UG 25/45 | UP64Ti | UP215Ti

Bi-metallic Steam Trap

UITVS

Compact Trap Valve Station

UIBT-28US

Inverted bucket Steam Trap in complete stainless steel construction

UIBT 1701 to 7004

Inverted bucket steam trap in cast/forged steel construction

UDCV

Wafer type disc check valve / NRV

UMS

Moisture separator for Steam & Air

UAV

Thermostatic air vent for steam with air bottle for proper venting

UAE

Air eliminator for liquid application

UBSV

Bellow seal gate/globe valve

UPHV

High pressure (#1500/#2500) gate/globe valve

USTR

Y & T type strainers in cast carbon steel and stainless steel

USG

Double window sight glass

USI

Steam injector for boiler feed water tank

UFV

Condensate flash vessel

UPPPU

Condensate pressure powered pump unit

UDH

Atmospheric de-aerator head for boiler feedwater tank

UAPT

Automatic pumping trap – Combination of a conventional trap & pump for proper condensate discharge for varied applications

UCCDS

Online (24x7) condensate contamination detection system

UBBHRS

Boiler blowdown heat recovery system

UHWGS

Instant Hot water generator system

UPRS / UPRDS

Pressure reducing system & de-superheating system

UCCM / USDM

Steam / Condensate manifolds

Other Products :



Cast / Forged Steel Piston Valves, Bellow seal valves, High Pressure valves (Gate/Globe), Strainers – “Y” Type, ITVS Steam Traps (Thermodynamic, Thermostatic, Ball Float Traps and IBT), Pressure Reducing Station, Condensate Recovery Products, Level Gauges (Reflex, Transparent, Bicolor), Sight Glass, Hot Water Generation System, Safety and Relief Valves.

FSD Products : Compressed Asbestos / Non Asbestos Fiber Sheetting / Cut Gaskets, Spiral Wound Gaskets / Gland Packing

In view of technical progress designs and dimensions are subject to change without notice.

UKL®

UNI KLINGER LIMITED

A joint venture of the Neterwala group of companies and KLINGER AG, Switzerland.

Central Sales Office & Pune Branch : SC1, 5th Fl., Kohinoor Est. Mumbai-Pune Highway, Khadki, Pune-411 003.

Tel.: +91-20-4102 3000 Fax.: (020) 4102 3001

e-mail : salescso@uniklinger.com, salespune@uniklinger.com, Website : www.uniklinger.com

Factory :

C-37, M.I.D.C., Ahmednagar – 414 111, Maharashtra, Tel. : 0241 – 2777223 / 2777512

Fax : 0241 – 2777294, E-mail : fcdworks@uniklinger.com

Branch Offices :

Baroda : 102, Oftel Towers-II 1st Floor, R.C. Dutt Rd, Baroda-390 005, Tel.: 91-0265-2312343 / 2340660, Fax.: 91-265-2341419. **E-mail** : salesbar@uniklinger.com

Chennai : East Coast Centre, 5th Floor, 553, Mount Rd, Teyanampet, Chennai - 600 018, Tel.: 91 - 44 - 24345707. Fax.: 91 - 44 - 24343960. **E-mail** : saleschen@uniklinger.com

Kolkata : 9, Chitrakoot, 8th Floor, 230 A, AJC Bose Rd, Kolkatta-700 020, Tel.: 91-33-22872510, Fax.: 91-33-22876494. **E-mail** : salescal@uniklinger.com

Mumbai : 714, Ecstasy, City of Joy Complex, J.S.D. Rd, Mulund (W) Mumbai - 400080, Tel.: 91-22-25440463, Fax.: 91-22-25440463. **E-mail** : salesmum@uniklinger.com

New Delhi : 1003, 10th Flr., Indra Prakash Bldg. 21, Barakhamba Rd, Connaught Place New Delhi-110001, Tel.: 91-11-41658767, Fax.: 91-11-41658768. **E-mail** : salesdel@uniklinger.com



AN ISO 9001 : 2015
COMPANY