

WAFER CHECK VALVE

Swing Type Wafer Check Valve

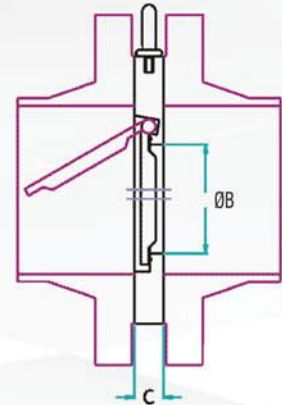
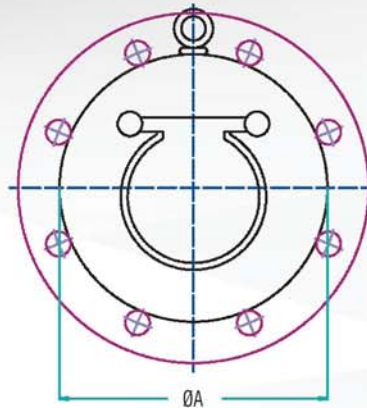
Swing type wafer check valves used in pipelines to prevent back flow of fluid. Designed to fit between two flanges these valves have very short overall length when compared to the conventional flanged end check valve. Opening and closing of valve takes place over extremely low pressure difference over the valvedisc. The valves are manufactured according to API 6D standard and tested in accordance with API 598.

ADVANTAGES

- Compact & Light weight
- Bubble Tight shut-off
- Long life of seat rings.
- Extremely low opening pressure
- Soft seat option available,
- Testing in accordance with API 598

PRODUCT RANGE

Size 25 mm - 300 mm
MOC CI/WCB/SS304/SS316
End Connection Wafer



PART NAME	MATERIAL		
Body	CI / SGI / WCB	CF8	CF8M
Disc	WCB / SS304 / SS316	CF8	CF8M
Seat	Nitrile / EPDM / PTFE / Viton		
Spring	SS316 (on request)		

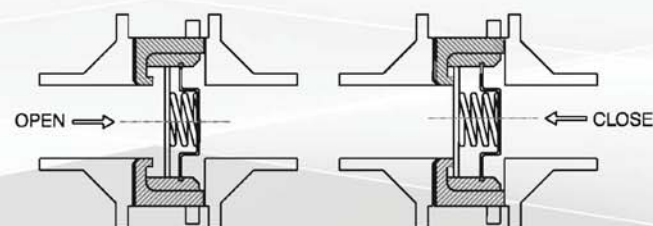
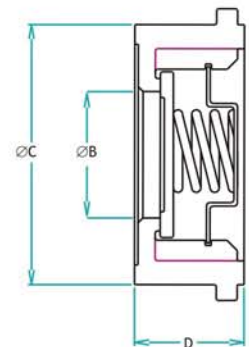
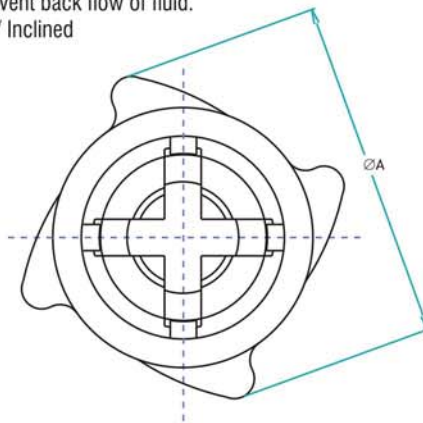
SIZE MM	25	40	50	65	80	100	125	150	200	250	300
A	60	80	97	109	128	154	190	215	270	337	408
B	14	22	30	40	52	70	93	115	157	195	230
C	17	19	19	19	19	19	19	20	29	30	38

Non Slam Check Valve

Non Slam check valves are lift type non return valves used in pipelines to prevent back flow of fluid. These valve can be mounted in any plane. Installation - Horizontal / Vertical / Inclined

PRODUCT RANGE

Size 15 mm - 200 mm
MOC SS304 / SS316
End Connection Wafer



PART NAME	MATERIAL
Body	SS304 / SS316
Disc	SS304 / SS316
Seat	Metal Seated / PTFE
Spring	SS304 / SS316

HYDROTEST PRESSURE	
Body	31 kg./cm ²
Seat	22 kg./cm ²

SIZE MM	15	20	25	32	40	50	65	80	100	125	150	200
A	56	67	80	90	101	104	136	154	184	217	252	315
B	15	20	25	32	40	50	65	80	100	125	150	200
C	42	52	63	74	85	95	115	133	154	188	222	276
D	17	20	23	29	32	40	46	50	60	90	105	140